

Wall mounting appliance inlet - with hinged cover



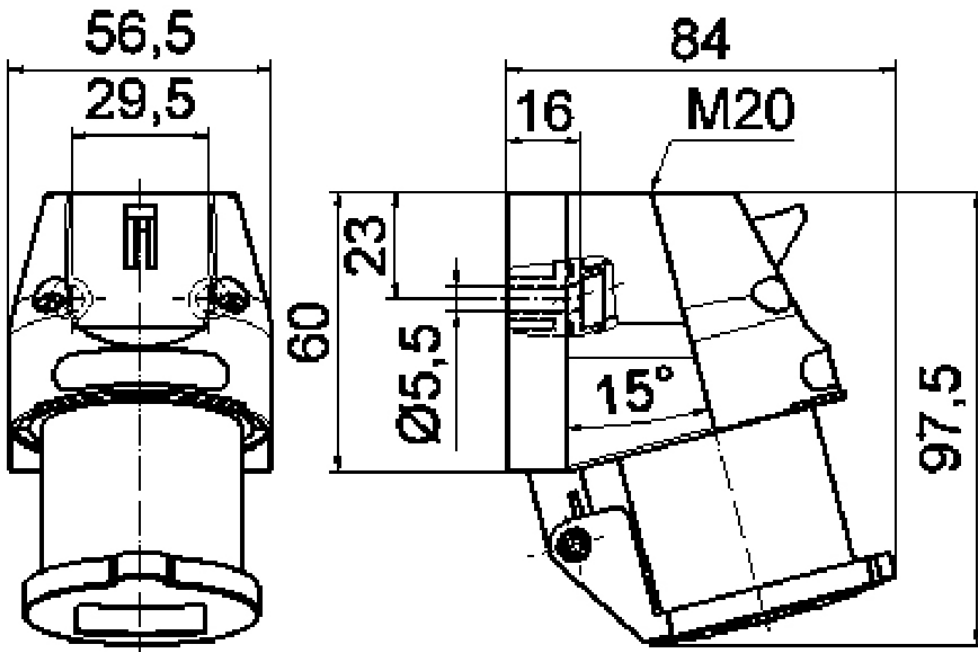
| Product description | |
|---------------------------|-------------------------------|
| BALS-Prd.-Nr | 242 |
| EAN | 4024941002424 |
| Product category | Wall mounting appliance inlet |
| Current | 16A |
| Number of poles | 3p |
| Poles | 2P+PE |
| Position of earth contact | 6 h |
| Voltage | 200 up to 250V |
| Frequency | 50 and 60Hz |

| Product description | |
|------------------------|---|
| Protection degree | IP44 |
| Colour code | blue RAL 5015 |
| Colour of appliance | Housing bottom blue RAL 5015, Hinged lid grey RAL 7035, Housing top blue RAL 5015, Collar blue RAL 5015, Flange blue RAL 5015 |
| Connection design | with screw terminal |
| Maximum conductor size | 2,5 qmm |
| Cable entry | top entry M20 |
| Height | 98mm |
| Width | 57mm |
| Depth | 84mm |
| Dimension of enclosure | 60x56.5 mm (HxW) |
| Material of enclosure | Polyamide |
| Contact | The contact carrier is made of polyamide, The contacts are brass |

| Additional technical properties | |
|---------------------------------|--|
| | The cable entry is one at top open and one rear sided closed |
| | With hinged lid |

| Logistics data | |
|----------------|------------------|
| Weight/pcs | 0.148 kg / Piece |
| Packaging | Bag |

| Logistics data | |
|----------------|---------------|
| Content amount | 1 ST |
| EAN | 4024941002424 |
| Length | 84 mm |
| Width | 57 mm |
| Height | 98 mm |
| Weight | 0.149 kg |
| Volume | 469.224 ccm |
| Packaging | Carton |
| Content amount | 10 ST |
| EAN | 4024941941075 |
| Length | 275 mm |
| Width | 175 mm |
| Height | 137 mm |
| Weight | 1.605 kg |
| Volume | 5,737.5 ccm |



5 MB 161