

Connector - with screw terminals one piece housing



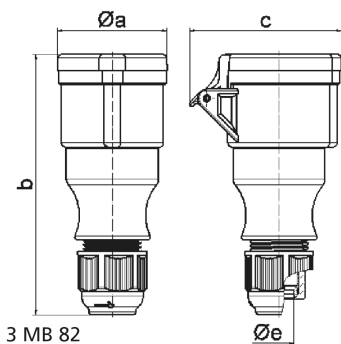
Product description	
BALS-Prd.-Nr	31004-TLS
EAN	4024941199377
Product category	Connector TLS MULTI-GRIP cable gland
Current	16A
Number of poles	4p
Poles	3P+PE
Position of earth contact	9 h
Voltage	200 up to 250V
Frequency	50 and 60Hz

Product description	
Protection degree	IP44
Colour code	blue RAL 5015
Colour of appliance	Enclosure blue RAL 5015, Hinged lid blue RAL 5015, Cable gland grey RAL 7035
Connection design	with screw terminal
Maximum conductor size	2,5 qmm
Cable entry	Cable gland
Height	149mm
Width	52mm
Depth	74mm
Material of enclosure	Polyamide
Contact	The contact carrier is made of polyamide, The contacts are brass

Additional technical properties	
	one piece housing, Multi-Grip cable gland with gasket and integrated strain relief, For cable diameter from 8 up to max. 18 mm

Logistics data	
Weight/pcs	0.157 kg / Piece
Packaging	Bag
Content amount	1 ST
EAN	4024941199377

Logistics data	
Length	74 mm
Width	52 mm
Height	149 mm
Weight	0.158 kg
Volume	573.352 ccm
Packaging	Carton
Content amount	10 ST
EAN	4024941940504
Length	275 mm
Width	175 mm
Height	137 mm
Weight	1.695 kg
Volume	5,737.5 ccm



Ampere	16	16	16	32	32	32
Polzahl	3	4	5	3	4	5
a ø	51,0	58,0	65,0	67,0	67,0	73,0
b	145,0	148,0	156,0	185,0	185,0	185,0
c	74,0	84,0	90,0	94,0	94,0	102,0
e ø	18,0	18,0	18,0	23,0	23,0	23,0
Leiter mm ² min	1	1	1	2,5	2,5	2,5
Leiter mm ² max	2,5	2,5	2,5	6	6	6