

kraftmax

LS26500

ELECTRICAL CHARACTERISTICS

Nominal Capacity	9Ah
(4mA ,+25°C 2V cut off.The capacity restored by the cell varies according to current drain, temperature and cut-off)	
Nominal Voltage	3.6V
Max.Continuous Current	150mA
Max.Pulse Capability	300mA
Storage(recommended)	Max.30°C
(For more severe conditions,consult Ramway)	
Operating Temperature Range	- 60°C ~+85°C
(Operation at temperature different from ambient may lead to reduced capacity and lower voltage plateau readings)	
Weight	Approx.55g



SIZE:C

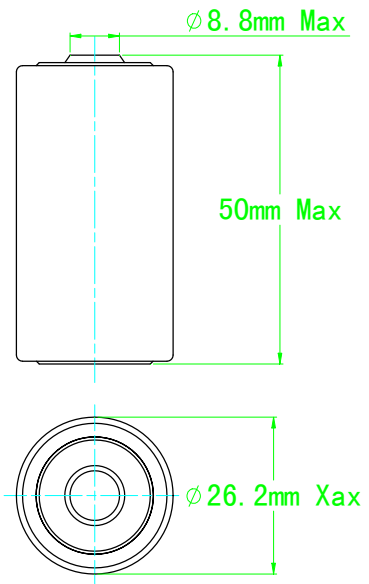
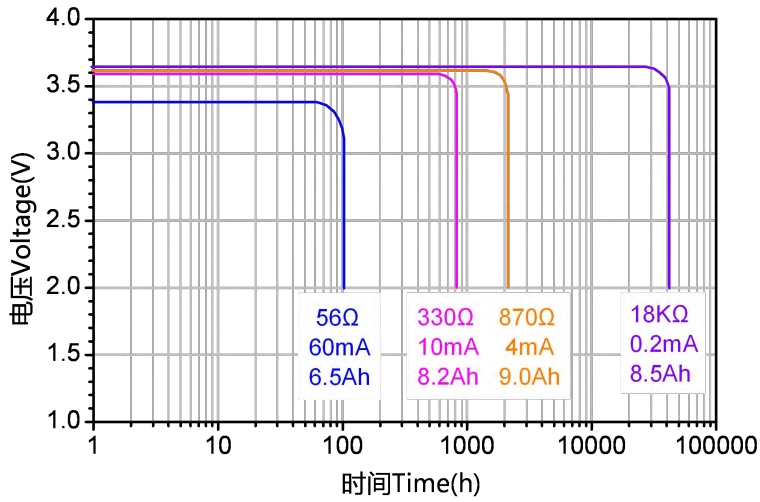
KEY FEATURES

- High and stable operating voltage
- Low self discharge rate(less than 1% after 1 year of storage at 25°C)
- Long storage life
- Stainless steel container(with low magnet)
- Widely operating temperature range
- Hermetic glass-to-metal sealing
- Non-flammable electrolyte
- CE,UL,SGS recognized,ISO9001 approved

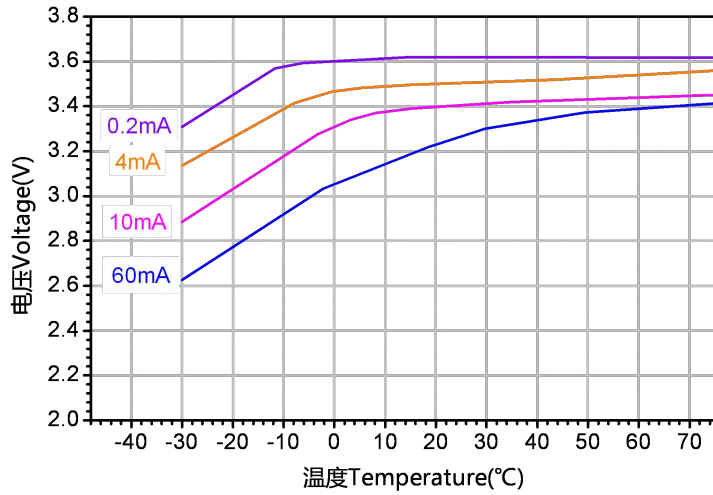
APPLICATION

- Utility metering
- Memory back-up
- Alarms and security devices
- Tollgate systems
- Military electronics
- Automotive electronics
- Professional electronics
- GPS tracking
- Real time clock
- etc.

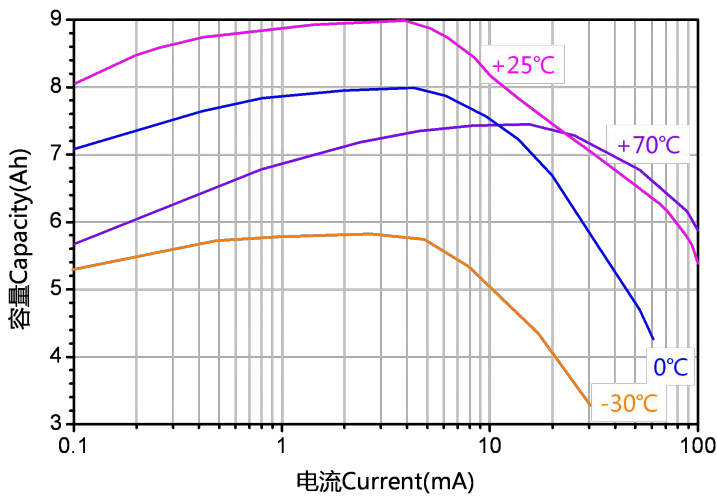
DISCHARGE CHARACTERISTICS (+25°C)



VOLTAGE VERSUS TEMPERATURE



CAPACITY VERSUS CURRENT



WARNING

- ✦ It is strictly forbidden to have the battery positive and negative short circuit, charging, discharging, heating over 100 °C, remove, anatomy, or may cause explosion, combustion, internal acid leakage.
- ✦ Do not solder directly on the battery, should use wire or nickel sheet by pre spot welded.
- ✦ Can not mixed use with old and new battery or mixed use different kinds battery.
- ✦ Don't assemble the batteries from different manufacturers.
- ✦ Do not use the battery over the temperature range.
- ✦ Discharged battery should be buried deeply in the ground.