

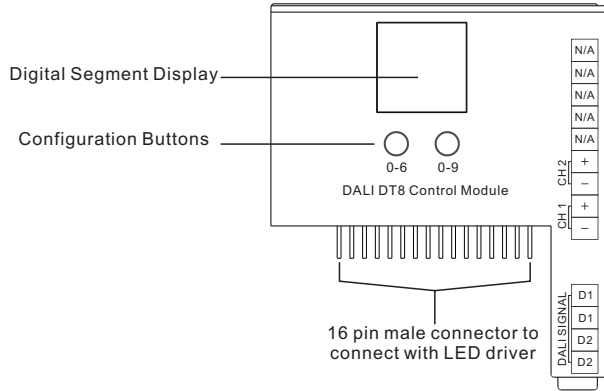
Plug-in Type DALI DT8 Control Module

09.09DALI.04735



Important: Read All Instructions Prior to Installation

Function introduction



Features

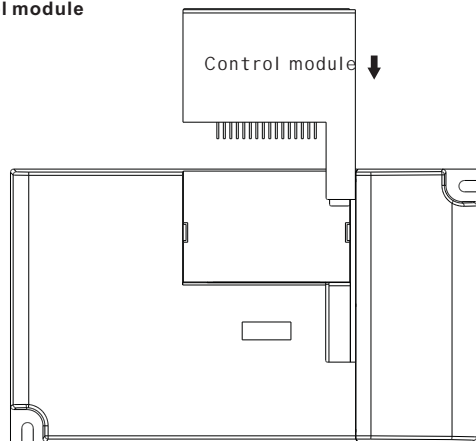
- Works with plug-in control module LED drivers
- Built-in DALI (device type 8) dimming interface
- Complies with DALI standards IEC62386-209:2011
- DALI device type 8 for tunable white, each device controlled via a single DALI address
- Color tuning according to DALI specification Device Type 8, Color Type Tc
- Compatible with universal DALI masters that supports device type 8 commands

Safety & Warnings

- DO NOT assembly the control module with power applied to the LED driver.
- DO NOT expose the module to moisture.
- DO NOT change the control module within 1 minute after powering off the driver to avoid burning-out.

Operation

1.Assemble the control module



2.LED Driver Wiring:

Once the control module is assembled to the LED driver, do wiring of LED driver according to the wiring diagram.

3.Set DALI Address Manually Via Buttons:



- Press and hold down any of the two buttons until numeric digital display flashes, then release the button.
- Click any of the two buttons once to select a digit, click again to change the digit until the desired DALI address appears. Click first button to set "tens" position and second button to set "units" position. The address can be set from 00~63.
- Then press and hold down any of the 2 buttons until the numeric digital display stops flashing to confirm the setting.

Note: DALI address can be manually assigned from 00-63-FF, by factory defaults, no DALI address is assigned for the driver, and the display shows **FF**. Setting DALI address as **FF** will reset the dimmer to factory defaults.

4.DALI Address Assigned by DALI Masters:

a)DALI address can also be assigned by DALI Master controller automatically, please refer to user manuals of compatible DALI Masters for specific operations.

Note: The digital display will show **AU** when the DALI master is assigning addresses.

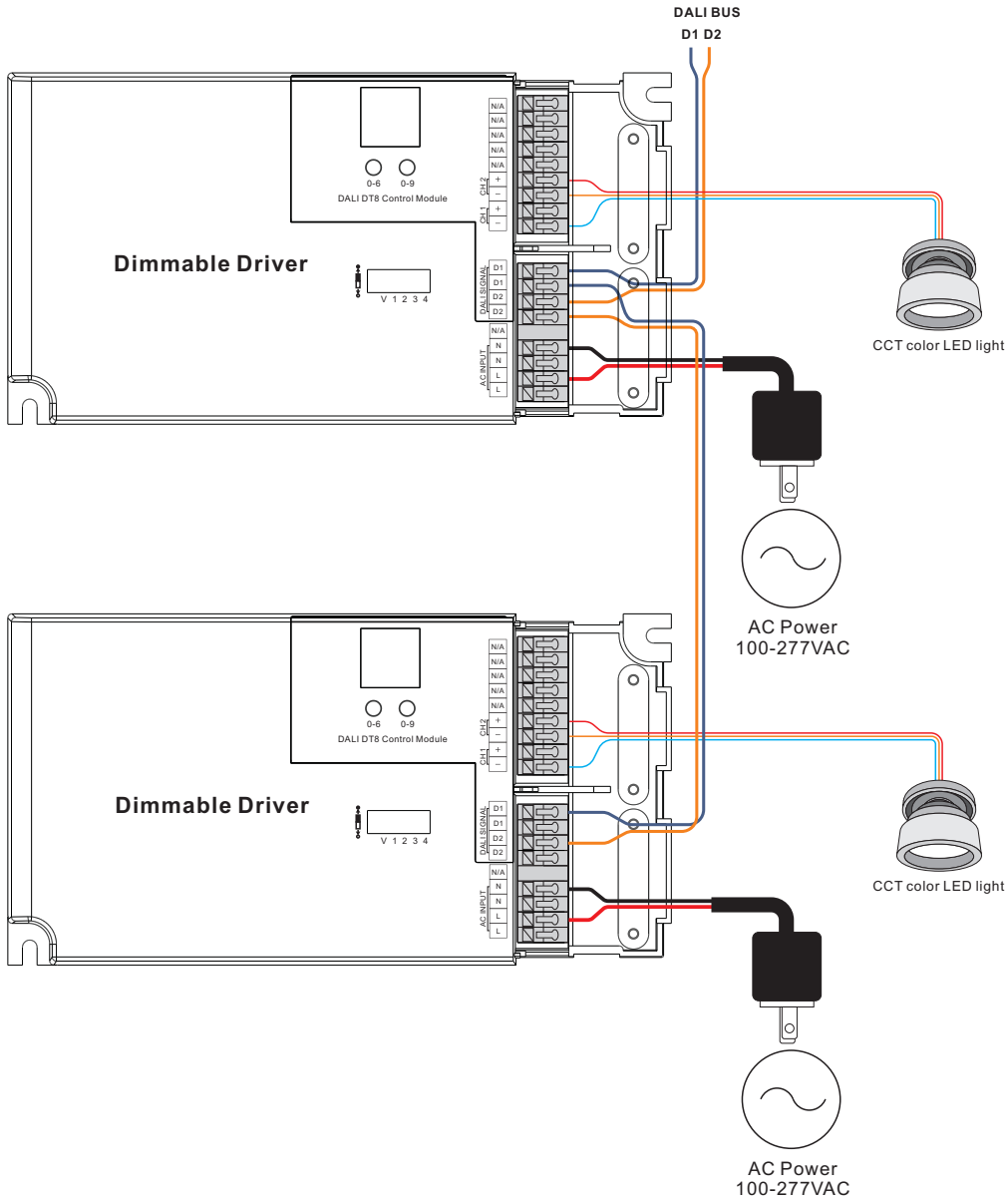
5.Tunable white functionality

The compatible driver has 2 output channels used to control the intensity and temperature of white colour as well known as "Tunable White".

The driver responds to DALI type 8 (DT8) commands, which in practice means that they only have 1 common address for both output channels.

The driver will operate correctly once tunable white LED module parameters are programmed to the driver. Compatible with universal USB interface DALI master controllers.

Wiring diagram
1. With Constant Current Driver



2. With Constant Voltage Driver

