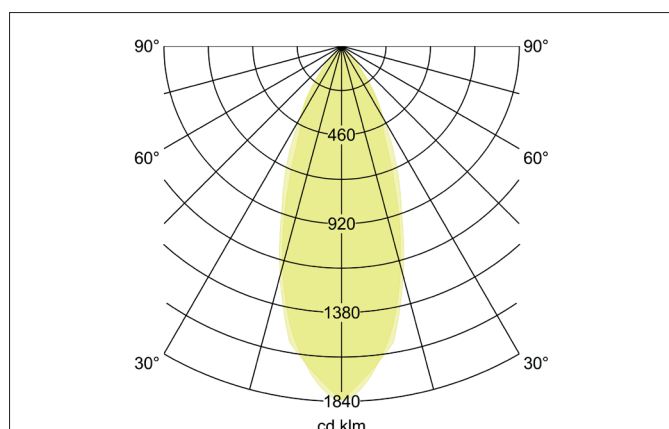
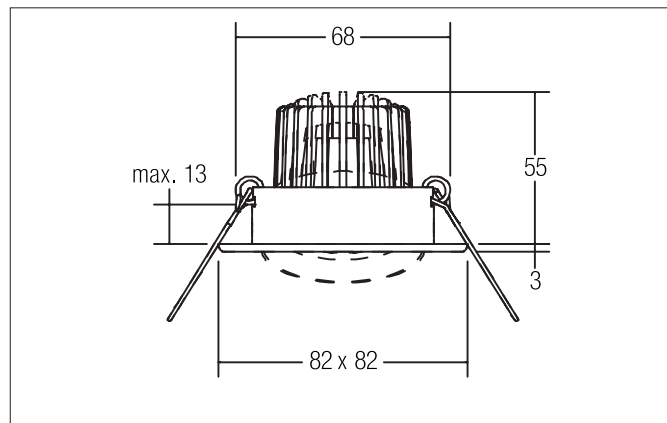


**CORBET-S LED recessed spot set, on/off switchable**

Article no. 38305023

Light.  
For Generations.**Tender**

LED recessed spot set, on/off switchable, Square. Toolless ceiling installation by installation springs. Ceiling cut-out Ø 68 mm, Installation depth 50 mm, Length 82 mm, Width 82 mm, Weight 0,192 kg, Reflector silver with rotationssymmetrical, deep, wide distributed light intensity. optimal light distribution due to a glass transparent cover. Luminous flux 680 lm, Power 1 x 6 W, System Efficiency 113 lm/W, Light colour warm white, Correlated color temprature (CCT) 3.000 K, Colour rendering index CRI > 80, Housing material: Steel / Aluminium / Glass, Colour: Chrome, Permissible ambient temperature (ta): -20 °C - +25 °C, Protection class (EN 61140): II, Degree of protection (DIN EN 60529): IP20. With electronic driver, on/off switchable.

| Article data       |  |
|--------------------|--|
| Article no.        | 38305023                                 |
| GTIN               | 4251433909163                            |
| Series name        | CORBET-S                                 |
| Short description  | LED recessed spot set, on/off switchable |
| Material           | Steel / Aluminium / Glass                |
| Colour             | Chrome                                   |
| Type of surface    | Glossy                                   |
| Shape              | Square                                   |
| Built-in diameter  | 68 mm                                    |
| Installation depth | 50 mm                                    |
| Length             | 82 mm                                    |
| Width              | 82 mm                                    |
| Hight              | 3 mm                                     |
| Weight             | 0.192 kg                                 |

**CORBET-S LED recessed spot set, on/off switchable**

Article no. 38305023

Light.  
For Generations.

| Lighting technology |            |
|---------------------|------------|
| Colour temperature  | 3.000 K    |
| Light colour        | White      |
| Light output        | Direct     |
| Luminous flux       | 680 lm     |
| System efficiency   | 113 lm/W   |
| Colour rendering    | CRI > 80   |
| Reflector           | High-gloss |
| Reflektorfarbe      | silver     |
| Beam angle          | 38°        |
| Light sharing       | Symmetric  |

| Operating technology of the luminaire |  |
|---------------------------------------|--|
| Lamp holder                           | Plug&Play  |
| Power                                 | 6 W  |
| Voltage type                          | DC   |
| Current                               | 350 mA   |
| Lamp                                  | LED  |
| Protection class                      | III  |
| Degree of protection                  | IP20   |
| Bulb change possible                  | The light source of this luminaire may only be replaced by the manufacturer or a service technician commissioned by him or a similarly qualified person. |

| Operating technology of driver |                 |
|--------------------------------|-----------------|
| Length                         | 68 mm           |
| Length                         | 68 mm           |
| Width                          | 35 mm           |
| Width                          | 35 mm           |
| Hight                          | 21 mm           |
| Hight                          | 21 mm           |
| AC nominal voltage min         | 220 V           |
| AC nominal voltage max         | 240 V           |
| Frequenz max.                  | 50 Hz           |
| Frequenz max.                  | 50 Hz           |
| Dimmable                       | No              |
| Control                        | on/off          |
| Starting current               | 10 A (max.10ms) |
| Power min                      | 1 W             |
| Power                          | 7.2 W           |
| Current                        | 350 mA          |
| Degree of protection           | IP20            |
| Protection class               | II              |
| Flickerfrei                    | Yes             |

| Mounting technology         |   |
|-----------------------------|---|
| Mounting method             | Recessed mounting                         |
| Place of installation       | Ceiling-mounted                           |
| Adjustability               | Pivoted                                   |
| Swivel angle                | 25°                                       |
| Max. ceiling thickness      | 13 mm                                     |
| Further references          | No cover with thermal insulation material |
| Material cover              | Glass transparent                         |
| Suitable for through-wiring | Yes, with optional accessories            |

**CORBET-S LED recessed spot set, on/off switchable**  
Article no. 38305023Light.  
For Generations.

| Packing data            |  |
|-------------------------|--|
| Gross weight            | 0.247 kg   |
| Length of packaging     | 100 mm   |
| Packaging width         | 100 mm   |
| Packaging height        | 100 mm   |
| Disposal at end of life | <p>This product must not be disposed of with household waste. You are obliged, to dispose of such electrical waste separately.</p> <p>By disposing of electrical waste and other old or defective electronics separately, you support recycling or other forms of re-use. In that way you help to take care and to avoid that harmful substances get into the environment.</p> |