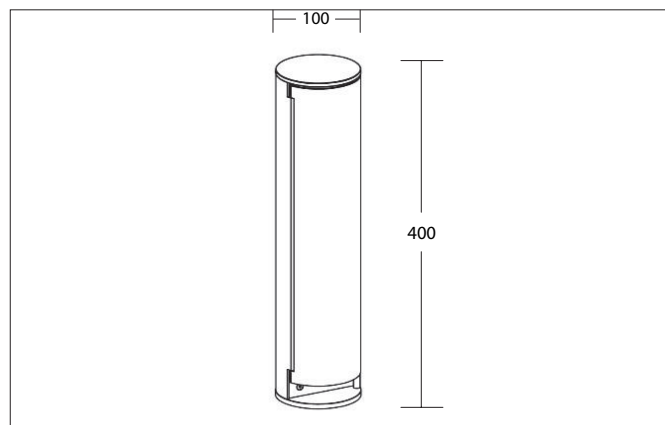


**MATURNA POWER Connection pillar, IP44, height 480 mm**

Article no. 65422100

Light.  
For Generations.**Tender**

Connection pillar, IP44, height 480 mm, graphite structure, Other.Surface mounting, Floor-mounted Mounting method: Surface mounting, Place of installation: Floor-mounted, Material: Aluminium / Plastic, Degree of protection: according to DIN EN 60529 IP44, Protection class: (EN 61140) I, Voltage: 230V AC 50Hz, With control gear: Yes, .

Article data	
Article no.	65422100
GTIN	4255752507710
Series name	MATURNA POWER
Short description	Connection pillar, IP44, height 480 mm
Material	Aluminium / Plastic
Colour	Graphite
Type of surface	Structure
Shape	Other
Hight	400 mm
Weight	1.409 kg

Operating technology of the luminaire	
Voltage type	AC
AC nominal voltage max	230 V
Protection class	I
Degree of protection	IP44

**MATURNA POWER Connection pillar, IP44, height 480 mm**  
Article no. 65422100Light.  
For Generations.

Mounting technology	
Mounting method	Surface mounting
Place of installation	Floor-mounted
Further references	Outdoor

Packing data	
Gross weight	1.658 kg
Length of packaging	120 mm
Packaging width	120 mm
Packaging height	415 mm
Disposal at end of life	<p>This product must not be disposed of with household waste. You are obliged, to dispose of such electrical waste separately.</p> <p>By disposing of electrical waste and other old or defective electronics separately, you support recycling or other forms of re-use. In that way you help to take care and to avoid that harmful substances get into the environment.</p>