

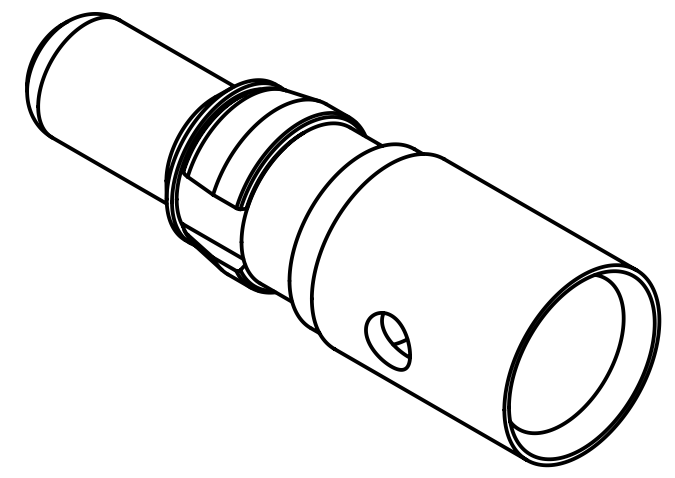
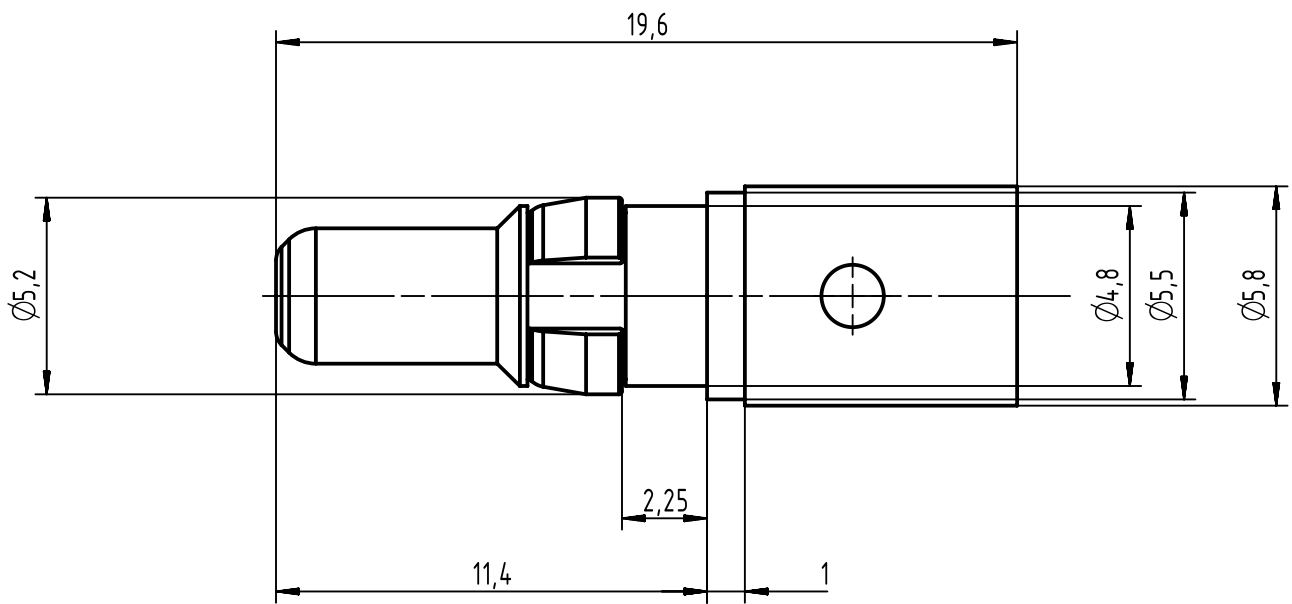
1 2 3 4 5 6

A

B

C

D



09692827823	PL3
09692825823	S4
Part number	performance level

	All rights reserved Department EC PD - CN	All Dimensions in mm Original Size DIN A4		Scale 5:1	Free size tol.	Ref.	
		Created by ZHUANGJ	Inspected by LUOK	Standardisation HOFFMANN	Date 2016-02-23	State Final Release	
HARTING Electronics GmbH D-32339 Espelkamp		Title D-Sub mixed male 40A Short crimp power contact AWG 8-10				Doc-Key / ECM-Nr. 100223318/UGD/001/B 500000095635	
		Type TB	Number 0969282X823			Rev. B	Page 1/1