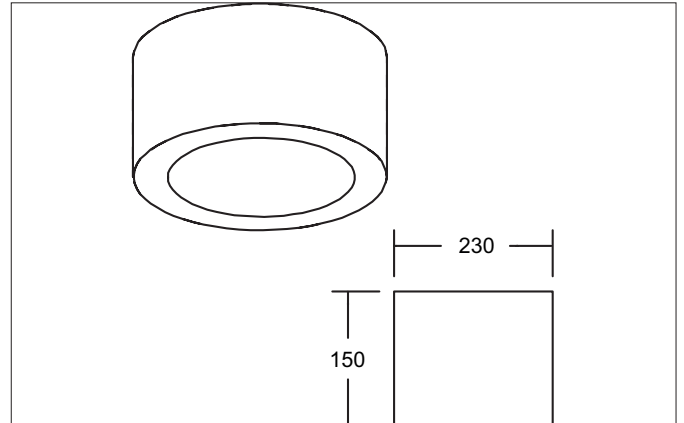


KODIAK MAXI LED-Anbaudownlight

Article no. 12597174

Light.
For Generations.**Tender**

LED-Anbaudownlight, Round. Luminaire diameter 230.0 mm, Height 150.0 mm Reflector silver with rotationssymmetrical, deep, wide distributed light intensity. optimal light distribution due to a Without cover cover. Luminous flux 4.665 lm, UGR < 21, Power 1 x 48 W, Light colour neutral white, Correlated color temperature (CCT) 4.000 K, Colour rendering index CRI > 90, Rated life time L70/B10 at 25 °C: 50.000 h, Rated life time L70/B50 at 25 °C: 50.000 h, Housing material: Aluminium / Plastic, Colour: White structure, Permissible ambient temperature (ta): -20 °C - +25 °C, Protection class (EN 61140): I, Degree of protection (DIN EN 60529): IP20, .With electronic driver, on/off switchable.

Product Benefits

- Rundes Anbaudownlight aus massivem Aluminium mit großzügig dimensioniertem Wärmemanagement.
- Hochwertiger Reflektor.
- Einfache Montage.
- CRI > 90, UGR < 21.
- In den Ausführungen schaltbar und DALI dimmbar erhältlich.

KODIAK MAXI LED-Anbaudownlight

Article no. 12597174

Light.
For Generations.

Article data	
Article no.	12597174
GTIN	4251433999621
Series name	KODIAK MAXI
Short description	LED-Anbaudownlight
Material	Aluminium / Plastic
Colour	White
Type of surface	Structure
Shape	Round
Outer diameter	230 mm
Hight	150 mm
Scope of delivery	inkl. Konverter zum Anschluss an 230 V-Netzspannung
Weight	N.N.

Lighting technology	
Colour temperature	4.000 K
Light colour	White
Light output	Direct
Luminous flux	4,665 lm
System efficiency	97 lm/W
Colour rendering	CRI > 90
Reflector	Faceted
Reflektorfarbe	silver
Beam angle	70°
Glare evaluation	UGR < 21
Light sharing	Symmetric

Operating technology of the luminaire	
System output	48 W
Voltage type	AC
AC nominal voltage max	230 V
Frequenz max.	50 Hz
Lamp	LED
Protection class	I
Degree of protection	IP20
Dimmable	No
Control	on/off
Bulb change possible	The light source of this luminaire may only be replaced by the manufacturer or a service technician commissioned by him or a similarly qualified person.
Rated life time L70/B50 at 25 °C	50,000 h

Mounting technology	
Mounting method	Surface mounting
Place of installation	Ceiling-mounted
Adjustability	Not adjustable
Material cover	Without cover

Packing data	
Gross weight	N.N.
Length of packaging	N.N.
Packaging width	N.N.
Packaging hight	N.N.
Disposal at end of life	This product must not be disposed of with household waste. You are obliged, to dispose of such electrical waste separately. By disposing of electrical waste and other old or defective electronics separately, you support recycling or other forms of re-use. In that way you help to take care and to avoid that harmful substances get into the environment.