

Connector - with screwless terminals, for harsh applications



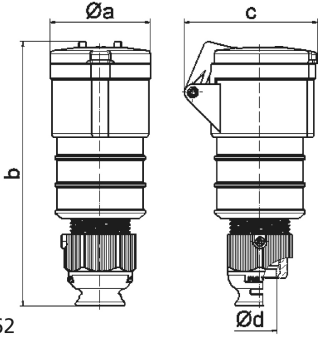
Product description	
BALS-Prd.-Nr	31661
EAN	4024941316613
Product category	Connector QUICK-CONNECT TE
Current	16A
Number of poles	4p
Poles	3P+PE
Position of earth contact	9 h
Voltage	200 up to 250V

Product description	
Frequency	50 and 60Hz
Protection degree	IP44
Colour code	blue RAL 5015
Colour of appliance	Enclosure blue RAL 5015, Hinged lid blue RAL 5015, Cable gland grey RAL 7035
Connection design	screwless spring-clamp Kontex
Maximum conductor size	2,5 qmm
Cable entry	Cable gland
Height	162mm
Width	58mm
Depth	78mm
Material of enclosure	Polyamide
Contact	The contact carrier is made of high temperature resistant material, the contacts are brass nickel plated

Additional technical properties	
	For cable diameter from 8 up to max. 18 mm, Multi-Grip cable gland with gasket, integrated cable clamp and additional water evacuation openings

Logistics data	
Weight/pcs	0.166 kg / Piece
Packaging	Bag
Content amount	1 ST

Logistics data	
EAN	4024941316613
Length	78 mm
Width	58 mm
Height	162 mm
Weight	0.167 kg
Volume	732.888 ccm
Packaging	Carton
Content amount	10 ST
EAN	4024941834650
Length	275 mm
Width	175 mm
Height	137 mm
Weight	1.785 kg
Volume	5,737.5 ccm



3 MB 62

Ampere	16	16	16	32	32	32
Polzahl	3	4	5	3	4	5
a ø	51,0	58,0	65,0	66,5	66,5	72,0
b	156,0	162,0	168,0	195,0	195,0	198,0
c	72,0	78,0	86,0	89,0	89,0	99,0
d ø	18,0	18,0	21,0	23,0	23,0	27,0
Leiter mm ² min	1	1	1	2,5	2,5	2,5
Leiter mm ² max	2,5	2,5	2,5	6	6	6