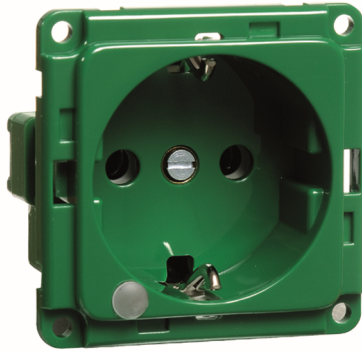


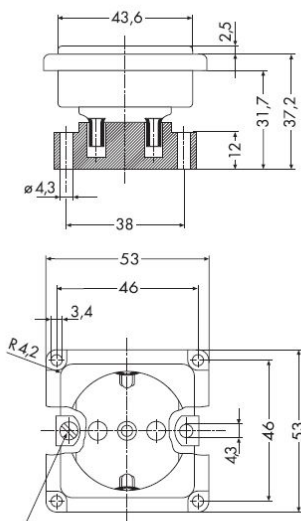
**SCHUKO socket with screw terminals  
mint green**

**Product Data Sheet**



With child-protection	Yes
Frequency	50-60Hertz
Nominal voltage	250Volt
Halogen free	Yes
Nominal current	16Ampere
Model	Protective contact (SCHUKO)
Connection type	Screwed terminal
Colour	Green
Mounting method	Other
Type of fastening	Mounting with screw
Material	Plastic
Material quality	Thermoplastic
Surface protection	Untreated
Suitable for degree of protection (IP)	IP20

6611 ME



Schraubenkopf max. Ø 7 mm

**SCHUKO socket with screw terminals**  
**mint green**

SCHUKO socket with screw terminals, with green cover and green socket  
16 A 250 V, with connecting terminals in compliance with VDE 0620,  
with front fixing, with cover, with increased protection against electric shock  
and indicator lamp

Material No.	Article No.	EAN-code
00256311	D 6611.42 ME GLK SI	4010105256314

---

**PEHA Elektro GmbH & Co.KG**

a Honeywell Company  
Daimlerstraße 4  
58553 HALVER  
DEUTSCHLAND

Tel.: 02353 9118 001  
Fax: 02353 9118 311  
mail: [peha@honeywell.com](mailto:peha@honeywell.com)  
[www.peha.de](http://www.peha.de)

Änderungen vorbehalten. © Honeywell PEHA