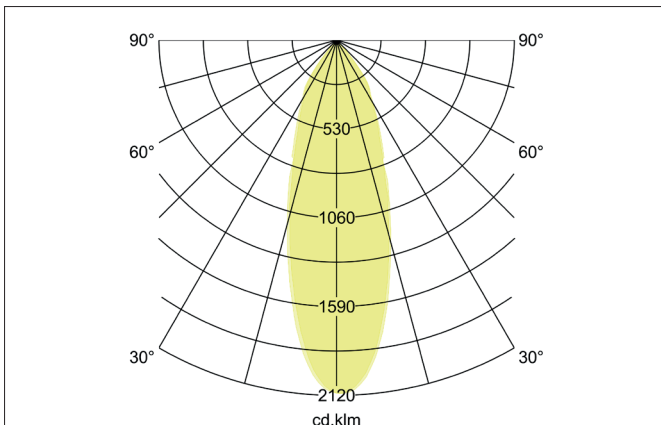
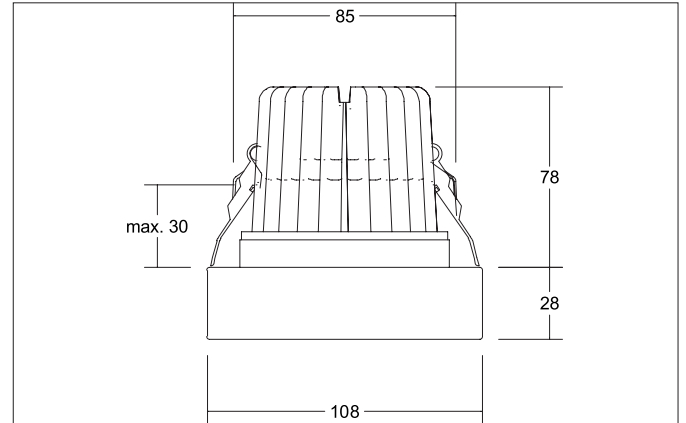


KEGON LED recessed downlight

Article no. 12225003

Light.
For Generations.**Tender**

LED recessed downlight, Round. Toolless ceiling installation by installation springs. Ceiling cut-out \varnothing 85 mm, Installation depth 78 mm, Outer diameter 108 mm, Weight 0,464 kg, Reflector silver with rotationssymmetrical, deep, wide distributed light intensity. optimal light distribution due to a plastic, transparent cover. Luminous flux 1.172 lm, Power 1 x 13,6 W, System Efficiency 86 lm/W, Light colour warm white, Correlated color temprature (CCT) 3.000 K, Colour rendering index CRI > 90, Rated life time L70/B50 at 25 °C: 50000 h, Housing material: Aluminium / Acrylic, Permissible ambient temperature (ta): -20 °C - +25 °C, Protection class (EN 61140): III, Degree of protection (DIN EN 60529): IP20. For connection to an external driver, which is not included in the scope of delivery of the luminaire. Depending on driver dimmable.

Product Benefits

- Recessed downlight in round design made of massive aluminum and acrylic.
- Ceiling cutout 85 mm, outer diameter 108 mm, mounting depth 78 mm, luminous flux 1.172 lm, IP20.
- Visible outer housing made of transparent satin acrylic.
- Dimmable when using a suitable converter.

KEGON LED recessed downlight

Article no. 12225003

Light.
For Generations.

Article data	
Article no.	12225003
GTIN	4251433949299
Series name	KEGON
Short description	LED recessed downlight
Material	Aluminium / Acrylic
Type of surface	Matt
Shape	Round
Outer diameter	108 mm
Built-in diameter	85 mm
Installation depth	78 mm
Hight	28 mm
Weight	0.464 kg

Lighting technology	
Colour temperature	3.000 K
Light colour	White
Light output	Direct
Luminous flux	1,172 lm
System efficiency	86 lm/W
Colour rendering	CRI > 90
Reflector	High-gloss
Reflektorfarbe	silver
Beam angle	36°
Light sharing	Symmetric

Operating technology of the luminaire	
Voltage type	DC
Current	350 mA
Lamp	LED
Lamp holder	Plug&Play
Protection class	III
Degree of protection	IP20
Dimmable	Depending on type of control gear
Control	Depending on driver
Bulb change possible	The light source of this luminaire may only be replaced by the manufacturer or a service technician commissioned by him or a similarly qualified person.
Rated life time L70/B50 at 25 °C	50,000 h

Mounting technology	
Mounting method	Recessed mounting
Place of installation	Ceiling-mounted
Adjustability	Not adjustable
Max. ceiling thickness	30 mm
Further references	No cover with thermal insulation material
Material cover	Plastic, transparent

Packing data	
Gross weight	0.602 kg
Length of packaging	150 mm
Packaging width	150 mm
Packaging hight	120 mm
Disposal at end of life	This product must not be disposed of with household waste. You are obliged, to dispose of such electrical waste separately. By disposing of electrical waste and other old or defective electronics separately, you support recycling or other forms of re-use. In that way you help to take care and to avoid that harmful substances get into the environment.