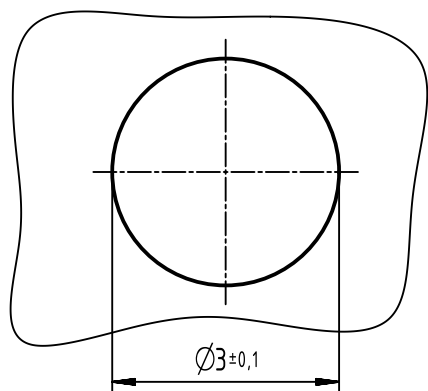



board drilling



	All rights reserved Department EC PD - DE	All Dimensions in mm Original Size DIN A4	Scale 10:1	Free size tol. complementary DIN 41626-1	Ref. Sub.	
		HARTING Electronics GmbH D-32339 Espelkamp	Created by STORCK	Inspected by LEHNERT	Standardisation HOFFMANN	Date 2017-06-21
Title DIN Signal female contact power 40A str solder MH					Doc-Key / ECM-Nr. 100721318/UGD/004/B 500000121071	
		Type TB	Number 09030006226		Rev. B	Page 1/1